

## EZPA-D-MMK (Spring)

+120°C +248°F  
-50°C -58°F

EMC弹片式应力消除直接头

Fitting

Material: PA6 MOD V0 SGA



- EMC弹片式公制金属短螺纹电缆锁紧接头
  - 确保与电缆外皮屏蔽编织层的有效电气接触
  - 自熄, 耐大多数常见化学品
  - 优异的耐UV性能
- fitting strain relief straight with short metric metal thread and EMC spring containing spring contacts
  - enables proper electrical contact with screening braids
  - self-extinguishing and resistant against most chemical media commonly used
  - excellent UV-resistance

温度范围 / Temperature range

UV-防护 / UV protection

低温性能 / Cold environment performance

防尘性能 / Dust ingress protection

防水性能 / Water ingress protection

机械强度 / Mechanical strength

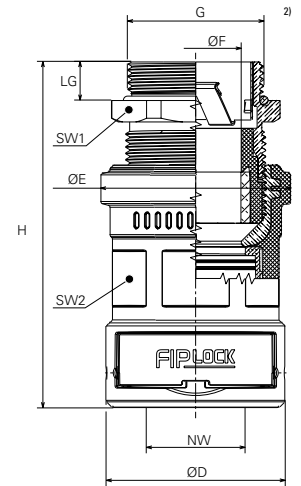
min.		max.	



产品号 Part No. <sup>1)</sup>	名义尺寸 Nominal width	螺纹尺寸 Thread	尺寸 (nom.) Dimensions in mm (nom.)								重量 Weight	包装单元 PU	
			LG	F*	**	H	Ø D	Ø E	SW1	SW2			
黑色 / black	NW	M											
EZPA-10M12MB-DL1	NW10	12x1,5	6,5	3,5 – 7,0	1,0	54,0	24,7	21,6	16	20	25,0	10	
EZPA-10M16MB-DL1	NW10	16x1,5	7,0	4,5 – 10,0	4,0	57,8	24,7	26,0	20	20	37,0	10	
EZPA-12M16MB-DL1	NW12	16x1,5	7,0	4,5 – 10,0	4,0	60,3	28,5	27,0	20	22	39,7	10	
EZPA-12M20MB-DL1	NW12	20x1,5	8,5	7,0 – 13,0	5,0	64,0	28,5	30,4	24	22	51,8	10	
EZPA-17M20MB-DL1	NW17	20x1,5	8,5	7,0 – 13,0	5,0	73,1	34,0	31,2	24	27	58,1	10	
EZPA-17M25MB-DL1	NW17	25x1,5	8,0	9,0 – 17,0	7,5	75,1	34,0	36,7	29	27	78,8	10	
EZPA-23M25MB-DL1	NW23	25x1,5	8,0	9,0 – 17,0	7,5	75,1	41,7	36,7	29	36	86,0	6	
EZPA-23M32MB-DL1	NW23	32x1,5	9,0	11,0 – 21,0	9,0	80,6	41,7	44,4	36	36	142,7	6	
EZPA-29M32MB-DL1	NW29	32x1,5	9,0	11,0 – 21,0	9,0	80,9	48,4	44,8	36	41	146,4	6	
EZPA-29M40MB-DL1	NW29	40x1,5	9,0	19,0 – 28,0	15,0	87,4	48,4	53,1	45	41	205,0	6	
EZPA-36M40MB-DL1	NW36	40x1,5	9,0	19,0 – 28,0	15,0	100,3	59,7	55,0	45	52	239,5	4	
EZPA-36M50MB-DL1	NW36	50x1,5	10,0	27,0 – 35,0	21,0	104,3	59,7	64,6	54	52	312,4	4	
EZPA-48M50MB-DL1	NW48	50x1,5	10,0	27,0 – 35,0	21,0	104,3	71,0	64,0	54	65	330,8	4	

\* = 夹紧范围 / Clamping range

\*\* = 最小屏蔽套管尺寸 Ø / Minimum Ø above braiding



您可以通过以下地址查询更多的技术信息 / You can find more technical information here

CADENAS – 产品CAD数据目录 / eCATALOGsolutions electronic CAD catalog: <https://fraenkische-ip.partcommunity.com>

<sup>1)</sup> FIPSHIELD® 屏蔽产品编码规则 / Part numbering key for FIPSHIELD® shielding solutions: [www.fraenkische-ip.com/fipshield-part-no](http://www.fraenkische-ip.com/fipshield-part-no)

<sup>2)</sup> 带 EMC 弹簧的 FIPSHIELD® 操作说明书 / Assembly instruction for FIPSHIELD® with EMC Spring: [www.fraenkische-ip.com/assembly-fipshield-spring](http://www.fraenkische-ip.com/assembly-fipshield-spring)



关于产品库存, 交期, 尺寸及颜色等问题请联系我们本地的经销商或客服。

Please contact our local distribution partner or our customer service regarding product availability, lead time, other sizes and colours.

01.05.2024, V4.0

# EZPA-D-MKK 产品性能 / Product performances

应用性能 / Application performances	特性 Characteristics	单位 Unit	规范标准 Standards, specifications	备注 Remark
温度范围 / Temperature range	-50 到 / to +120 -58 到 / to +248	°C °F	IS FIP	
温度 (短周期) / Temperature (short-term)	150 (500 h); 160 (100 h) 302 (500 h); 320 (100 h)	°C °F	IS FIP	
<b>材料性能 / Material performances</b>				
缺口冲击测试 / Notched bar impact test	7 – 25	kJ/m <sup>2</sup>	ISO 180	
<b>系统密封性能 / System tightness</b>				
IP 等级 / IP rating	IP66/IP67/IP68/IP69 (IP69K)		IEC EN 60529	
<b>防火性能 / Fire safety performances</b>				
不含卤素和镉 Free from halogens and cadmium	ja / yes			
阻燃等级 / Fire classification	V0		UL 94	
氧指数 / Oxygen index	>32	%	EN ISO 4589-2	
火文危害等级 / Fire hazardous level	HL2 R22 / HL3 R23		EN45545-2	
火焰蔓延 / Spread of fire	非火焰蔓延 non flame propagating		IEC EN 61386	
垂直燃烧测试 / Vertical burning behavior	Vi<100 自熄 Vi<100 self-extinguishing	mm/min	EN ISO 6941:2003	ECE R-118-02 附录 8 ECE R-118-02 annex 8
<b>屏蔽性能 / Screen characteristics</b>				
转移阻抗 / Transfer impedance	≤10	mΩ		
屏蔽性能 / Screen effectiveness	可达 110 / up to 110	dB		
<b>耐候性 / Weathering performances</b>				
UV及耐候性 UV and weathering performance	优异 excellent		IS FIP	可达 40 年 up to 40 years
耐候测试 / Weathering test	符合 / resistant		DIN EN ISO 4892-2: 2013-07	5000h

测试条件参照EN ISO 139:温度23°C, 湿度 / 50% (如未注明测试条件)。IS FIP = FIP内部测试规范  
Tests carried out acc. EN ISO 139 at 23°C / 50% r. h. (if not indicated different). IS FIP = Internal Specification FIP

我们尽我们的知识水平所提供的数据, 图像和技术规格图反映了当前的工程技术水平。这不对最后应用有关的任何责任。产品用户需根据应用进行自己的评估, 以确定产品是否符合特殊的应用条件。我们对产品的责任只考虑一般规定条件下的水平。FIP保留对产品数据和数值进行技术调整的权力。例如更改材料和加工工艺, 在保证产品性能数值不下降的情况下不会另行通知。

The provided data, images and technical specification drawings reflect the current engineering level and are to the best of our knowledge. This does not include any liability regarding the final application. Users of the products have to make their own evaluation to determine the suitability for a specific application. Our liability for these products considers the stated level within our General Conditions only. FRAENKISCHE Industrial Pipes (FIP) reserves the right to adjust specified data and values as well as implementing technical adjustments of the products e. g. change of materials and processing technologies without prior notice as long as the specified values are not reduced.