

AIPA-M

公制管路连接直接头 Conduit intercoupler

+120°C +248°F
-50°C -58°F

Material: PA6 MOD V0 SGA



- 适配FIPLOCK®标准波纹管细波形及粗波形, 连接光管
- 连接公制光管, 带不锈钢卡夹
- 自熄, 耐大多数常见化学品
- 耐UV性能优异
- 小袋包装, 预装发货

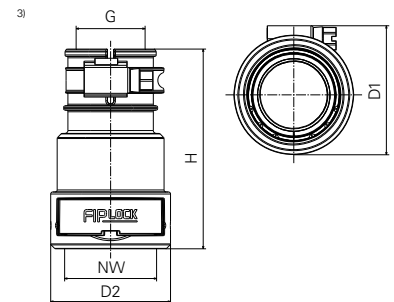
- metric smooth conduit intercoupler with stainless steel jubilee clamp
- allows the connection of FIPLOCK® corrugated conduits with fine and coarse profile with smooth tubes
- self-extinguishing and resistant against most chemical media commonly used
- excellent UV-resistance
- pre-assembled in small packing units

温度范围 / Temperature range
UV-防护 / UV protection
低温性能 / Cold environment performance
防尘性能 / Dust ingress protection
防水性能 / Water ingress protection
机械强度 / Mechanical strength

min.		max.	



产品号 Part No. ¹⁾		名义尺寸 Nominal width	管子直径 Conduit diameter	尺寸 Dimensions in mm ²⁾			重量 Weight	包装单元 PU
黑色 / black	卡箍 / clamp	NW	G	Ø D1	H	Ø D2	g	个 / Pcs
AIPA-12M16B-27	CJSS-016-027	12	M16	33,90	56,50	28,50	27,10	10
AIPA-17M18B-27	CJSS-020-032	17	M18	37,50	67,50	34,00	33,10	10
AIPA-17M20B-27	CJSS-020-032	17	M20	38,50	67,50	34,00	33,50	10
AIPA-23M25B-32	CJSS-025-040	23	M25	44,90	69,50	41,70	42,00	6
AIPA-29M32B-40	CJSS-032-050	29	M32	51,70	69,80	48,40	49,30	6
AIPA-36M40B-50	CJSS-040-060	36	M40	61,40	89,20	59,70	80,20	4
AIPA-48M50B-60	CJSS-050-070	48	M50	72,60	89,20	72,00	97,90	4



我们 FIPLOCK® ONE AIPA 供货时默认包含 FIPLOCK® CJSS 卡箍。

Our FIPLOCK® ONE AIPA is supplied with the appropriate clamps FIPLOCK® CJSS by default.



您可以通过以下地址查询更多的技术信息 / You can find more technical information here

CADENAS – 产品CAD数据目录 eCATALOGsolutions electronic CAD catalog: <https://fraenkische-ip.partcommunity.com>

¹⁾ FIPLOCK® ONE 管接头编码规则 / Part numbering key for FIPLOCK® ONE fittings: www.fraenkische-ip.com/fiplock-one-part-no

²⁾ 英制尺寸转换: www.fraenkische-ip.com/fipsystems-umrechnung-inch/ / Conversion to inch: www.fraenkische-ip.com/fipsystems-conversion-inch/

³⁾ FIPLOCK® ONE 组装说明 / Assembly instruction for FIPLOCK® ONE: www.fraenkische-ip.com/download/assembly-fiplock-one



AIPA-M 产品性能 / Product performances

应用性能 <i>Application performances</i>	特性 <i>Characteristics</i>	单位 <i>Unit</i>	规范标准 <i>Standards, specifications</i>	备注 <i>Remark</i>
温度范围 / <i>Temperature range</i>	-50 到 / <i>to</i> +120 -58 到 / <i>to</i> +248	°C °F	IS FIP	
温度 (短周期) / <i>Temperature (short-term)</i>	150 (500 h); 160 (100 h) 302 (500 h); 320 (100 h)	°C °F	IS FIP	
机械性能 / <i>Mechanical performances</i>				
冲击强度 / <i>Impact strength</i>	1J/2J	Joule	FIP-ISTR-1601	-50°C / -58°F
材料性能 / <i>Material performances</i>				
缺口冲击测试 / <i>Notched bar impact test</i>	7 – 25	kJ/m ²	ISO 180	
系统密封性能 / <i>System tightness</i>				
IP 等级 / <i>IP rating</i>	IP66/IP67/IP68/IP69 (IP69K)		IEC EN 60529	
防火性能 / <i>Fire safety performances</i>				
不含卤素和镉 <i>Free from halogens and cadmium</i>	是 / <i>yes</i>			
阻燃等级 / <i>Fire classification</i>	V0		UL 94	
防火特性 / <i>Fire characteristic</i>	自熄 <i>self-extinguishing</i>		UL 1696	
氧指数 / <i>Oxygen index</i>	>32	%	EN ISO 4589-2	
灼热丝测试 / <i>Glow wire test</i>	960 / 1760	°C / °F	IEC 60695	
火灾危害等级 / <i>Fire hazardous level</i>	HL2 R22 / HL3 R23		EN45545-2	
火焰蔓延指数 / <i>Flame spread index</i>	符合 / <i>compliant</i>		ASTM E162	参照 NFPA 130 / <i>acc. NFPA 130</i>
烟雾密度 / <i>Smoke density</i>	符合 / <i>compliant</i>		ASTM E662	参照 NFPA 130 / <i>acc. NFPA 130</i>
烟雾毒性 / <i>Smoke toxicity</i>	符合 / <i>compliant</i>		BSS 7239 / SMP 800-C	
热释放量 (焓) / <i>Heat release (Enthalpy)</i>	19,4 (8265)	MJ/kg (BTU/lb)	ASTM E1354	50 kW/m ² 热通量 <i>50 kW/m² heat flux</i>
火焰蔓延 / <i>Spread of fire</i>	非火焰蔓延 <i>non flame propagating</i>		IEC EN 61386	
垂直燃烧测试 / <i>Vertical burning behavior</i>	Vi<100 自熄 <i>Vi<100 self-extinguishing</i>	mm/min	EN ISO 6941:2003	ECE R-118-02 附录 8 <i>ECE R-118-02 annex 8</i>
耐候性 / <i>Weathering performances</i>				
UV- 及耐候性能 <i>UV and weathering performance</i>	优异 <i>excellent</i>		IS FIP	可达 40 年 <i>up to 40 years</i>

测试条件参照EN ISO 139 , 温度 23°C / 湿度50% r. h. (如未注明测试条件). IS FIP = FIP内部测试规范

Tests carried out acc. EN ISO 139 at 23°C / 50% r. h. (if not indicated differently). IS FIP = Internal Specification FIP

我们尽我们的知识水平所提供的数据, 图片和技术规格图档反映了当前的工程技术水平。这并不包含对最后应用有关的任何责任。产品用户需根据应用要求自行进行评估。以确定产品是否符合特殊应用条件。我们对产品的责任只考虑一般规定条件下的水平。FIP保留对产品数据和数值进行技术调整的权利。例如更改材料和加工工艺, 在保证产品性能数值不下降的情况下不会另行通知。

The provided data, images and technical specification drawings reflect the current engineering level and are to the best of our knowledge. This does not include any liability regarding the final application. Users of the products have to make their own evaluation to determine the suitability for a specific application. Our liability for these products considers the stated level within our General Conditions only. FRAENKISCHE Industrial Pipes (FIP) reserves the right to adjust specified data and values as well as implementing technical adjustments of the products e. g. change of materials and processing technologies without prior notice as long as the specified values are not reduced.