

BSPA-BJ

波纹管固定座

System support

+120°C +248°F
-50°C -58°F

Material: PA6 MOD V0 SGA



- 重载可堆叠波纹管固定座, 适配FIPLOCK® 标准波纹管细波形和粗波形
- 固定座中间的球结提高了波纹管活动的自由度
- 使用螺丝快速固定
- 用于重载场合的波纹管固定座

- stable and stackable system support for FIPLOCK® conduits with fine and coarse profile
- increased freedom of movement of the corrugated conduits due to a ball-joint insert
- considered for firm screw fastening
- rugged construction for high loads on installed corrugated conduits

温度范围 / Temperature range

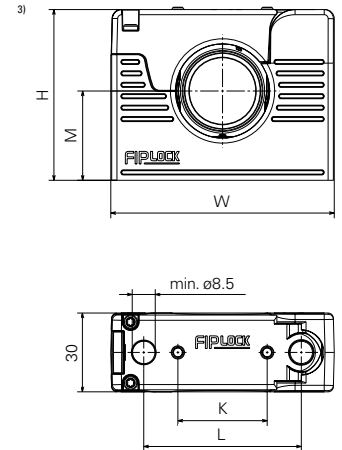
UV-防护 / UV protection

低温性能 / Cold environment performance

机械强度 / Mechanical strength



产品号 Part No. ¹⁾	名义尺寸 Nominal width	波型 Profile ²⁾	尺寸 Dimensions in mm						重量 Weight	包装单元 PU
			H	W	M	K	L	ID		
黑色 / black	NW									
BSPA-12B-BJ17	12	F/C	51,0	70,0	29,0	22,0	45,0	13,4	67,7	10
BSPA-17B-BJ23	17	F/C	51,0	70,0	31,0	22,0	45,0	18,5	63,8	6
BSPA-23B-BJ29	23	F/C	65,0	85,0	34,0	34,0	60,0	25,4	96,7	6
BSPA-29B-BJ36	29	F/C	65,0	85,0	36,0	34,0	60,0	31,4	90,2	4
BSPA-36B-BJ48	36	F/C	92,5	115,0	48,0	54,0	90,0	38,7	173,1	4
BSPA-48B-BJ56	48	F/C	92,5	115,0	50,5	54,0	90,0	50,7	157,7	4



您可以通过以下地址查询更多的技术信息 / You can find more technical information here

CADENAS – 产品CAD数据目录 / eCATALOG solutions electronic CAD catalog: <https://fraenkische-ip.partcommunity.com>

¹⁾ FIPLOCK® 附件编码规则 / Part numbering key for FIPLOCK® accessories: www.fraenkische-ip.com/fiplock-accessory-part-no

²⁾ 波纹管波型 / Conduit profiles: www.fraenkische-ip.com/fipsystems-profiles

³⁾ FIPLOCK® BSPA-BJ 组装说明 / Assembly instruction for FIPLOCK® BSPA-BJ: www.fraenkische-ip.com/assembly-fiplock-bspa



BSPA-BJ 产品性能 / Product performances

应用性能 Application performances	特性 Characteristics	单位 Unit	规范标准 Standards, specifications	备注 Remark
温度范围 / Temperature range	-50 到 / to +120 -58 到 / to +248	°C °F	IS FIP	
温度 (短周期) / Temperature (short-term)	150 (500 h); 165 (100 h) 302 (500 h); 329 (100 h)	°C °F	IS FIP	

防火性能 / Fire safety performances				
不含卤素和镉 / Free from halogens and cadmium	是 / yes			
阻燃等级 / Fire classification	V0		UL 94	
氧指数 / Oxygen index	>32	%	EN ISO 4589-2	
火灾危害等级 / Fire hazardous level	HL2 R22/HL3 R23		EN45545-2	
火焰蔓延指数 / Flame spread index	符合 / compliant		IEC EN 61386	
烟雾密度 / Smoke density	符合 / compliant			
烟雾毒性 / Smoke toxicity	符合 / compliant			
垂直燃烧测试 / Vertical burning behavior	Vi<100 自熄 Vi<100 self-extinguishing	mm/min	EN ISO 6941:2003	ECE R-118-02 附录 8 ECE R-118-02 annex 8

耐候性 / Weathering performances				
UV- 及耐候性能 UV and weathering performance	优异 excellent		IS FIP	可达 40 年 up to 40 years
防锈测试 Corrosion test	符合 / compliant		DIN EN ISO 9227:2017-07 DIN EN ISO 13018:2016-06	

测试条件参照EN ISO 139 , 温度 23°C / 湿度50% r. h. (如未注明测试条件). IS FIP = FIP内部测试规范
Tests carried out acc. EN ISO 139 at 23°C / 50% r. h. (if not indicated differently). IS FIP = Internal Specification FIP

我们尽我们的知识水平所提供的数据, 图片和技术规格图档反映了当前的工程技术水平。这并不包含对最后应用有关的任何责任。产品用户需根据应用要求自行进行评估。以确定产品是否符合特殊应用条件。我们对产品的责任只考虑一般规定条件下的水平。FIP保留对产品数据和数值进行技术调整的权利。例如更改材料和加工工艺, 在保证产品性能数值不下降的情况下不会另行通知。

The provided data, images and technical specification drawings reflect the current engineering level and are to the best of our knowledge. This does not include any liability regarding the final application. Users of the products have to make their own evaluation to determine the suitability for a specific application. Our liability for these products considers the stated level within our General Conditions only. FRAENKISCHE Industrial Pipes (FIP) reserves the right to adjust specified data and values as well as implementing technical adjustments of the products e. g. change of materials and processing technologies without prior notice as long as the specified values are not reduced.